



TECHNICAL PUBLICATIONS

Parts Manual

PB13





PB13

For replacement copy order P/N 960-1006
Updated: 12/04/2019



Descriptions and specifications were current at the time of publication. However, Earth Tool Company LLC (HammerHead Trenchless) reserves the right to make changes in engineering, design and specifications; add improvements; or discontinue manufacturing at any time without notice or obligation. This manual may not reflect the most current version of your machine. Please visit www.hammerheadtrenchless.com for the most recent and up to date version.



HammerHead and the HammerHead logo are registered trademarks of Earth Tool Company LLC, Lake Mills, WI, USA.

© 2019 Earth Tool Company LLC. All Rights Reserved.

INTRODUCTION

HOW TO USE THIS MANUAL

This manual contains illustrations and parts list of components and assemblies which make up various HammerHead® models. Each page consists of the name of the assembly or component, a figure number, reference numbers, part numbers, part names, and the quantities of the parts used.

Assembly or component names help identify the illustration and parts for each figure. This name also helps locate the general area of the machine where the assembly or component can be located.

Figure numbers are used to identify each assembly or component and to group these assemblies or components into major categories.

Reference numbers shown in a column refers to the numbered parts in the illustration. This ties the part in the illustration to the part number and description in the parts list. Part numbers are used to identify individual parts or part assemblies.

Part descriptions provide the name of the part, plus additional information such as dimensional specifications and what parts are grouped together to form part assemblies, which helps you identify the part(s).

Quantities listed for each figure are only for that assembly or component and not the total used per machine unless stated so in the "Remarks" column.

This parts manual is not intended to be a complete guide for machine service or repairs. Contact your HammerHead dealer for any of your service or technical requirements.

ORDERING PARTS

Parts for repair or replacement are available through the worldwide network of authorized HammerHead dealers. The use of aftermarket replacement parts in your HammerHead equipment reduces performance and overall equipment life and may also void or interfere with the factory warranty.

Use only genuine HammerHead parts from your authorized dealer for repair or replacement. Always give the serial number and model number of the machine for which parts are being ordered. When ordering parts for component(s), which are not manufactured by HammerHead Trenchless Equipment, also give the serial number of that component(s). Order all parts by part number, part name, and quantity needed. Do not order parts by illustration reference numbers.

INTRODUCTION

UPDATING AND REORDERING MANUALS

The parts lists, illustrations, and specifications in this manual are based on the latest information available at the time of publication. Your machine may have product improvements and options not yet contained in this manual. Please check the web site www.hammerheadtrenchless.com for any updates.

Earth Tool Company LLC reserves the right to make changes at any time without notice or obligation to you. Your dealer will receive notice of these changes and can assist you with accurate parts identification when ordering.

A copy of this manual is supplied with each machine. Additional copies are available through your dealer. When ordering additional manuals, use the reorder number listed on the front cover and the quantity needed. Electronic copies of this manual are also available on the web at www.hammerheadtrenchless.com.

OPERATIONS INSTRUCTIONS

Instructions on recommended equipment use and maintenance can be found in the Operator's Manual shipped with your equipment. Operator's Manuals are also available on the web at www.hammerheadtrenchless.com.

Thank you for buying and using Genuine HammerHead® Trenchless Equipment, parts and accessories.



WARRANTY

Limited Warranty Policy

Earth Tool Company, LLC, dba HammerHead Trenchless ("HammerHead") warrants each new industrial product of its own manufacture to be free from defects in material and workmanship, under normal use and service for one full year after delivery to the owner. During the warranty period, HammerHead shall furnish parts without charge for any HammerHead product that fails because of defects in material and workmanship. This warranty and any possible liability of HammerHead Trenchless here under is in lieu of all other warranties, express, implied, or statutory, including, but not limited to any warranties of merchantability or fitness for a particular purpose.

The parties agree that the Buyer's SOLE AND EXCLUSIVE REMEDY against HammerHead, whether in contract or arising out of warranties, representations, or defects shall be for the replacement or repair of defective parts as provided herein. In no event shall HammerHead's liability exceed the purchase price of the product. The Buyer agrees that no other remedy (including, but not limited to, incidental or consequential loss) shall be available to him. If, during the warranty period, any product becomes defective by reason of material or workmanship and Buyer immediately notifies HammerHead of such defect, HammerHead shall, at its option, supply a replacement part or request the return of the product to its plant in Lake Mills, Wisconsin. No part shall be returned without prior written authorization from HammerHead, and this warranty does not obligate HammerHead to bear any transportation charges in connection with the repair or replacement of defective parts. HammerHead Trenchless will not accept any charges for labor and/or parts incidental to the removal or remounting of parts repaired or replaced under this Warranty.

This Warranty shall not apply to any part or product which shall have been installed or operated in a manner not recommended by HammerHead nor to any part or product which shall have been neglected, or used in any way which, in HammerHead's opinion, adversely affects its performance; nor negligence of proper maintenance or other negligence, fire or other accident; nor with respect to wear items; nor if the unit has been repaired or altered outside of an HammerHead authorized dealership in a manner of which, in the sole judgment of HammerHead affects its performance, stability or reliability; nor with respect to batteries which are covered under a separate adjustment warranty; nor to any product in which parts not manufactured or approved by HammerHead have been used; nor to normal maintenance services or replacement of normal service items. Equipment and accessories not of our manufacture are warranted only to the extent of the original Manufacturer's Warranty and subject to their allowance to us, if found defective by them. HammerHead reserves the right to modify, alter, and improve any product or parts without incurring any obligation to replace any product or parts previously sold with such modified, altered, or improved product or part. No person is authorized to give any other Warranty, or to assume any additional obligation on HammerHead's behalf unless made in writing, and signed by an officer of HammerHead.

HAMMERHEAD TRENCHLESS

LAKE MILLS, WISCONSIN

Decals

Decals.....8

Frame Components

Frame Components.....14

Engine Components

Engine/Mechanical Components.....18

Hydraulics

Hydraulic Schematic.....24

Hoses & Fittings.....26

Miscellaneous

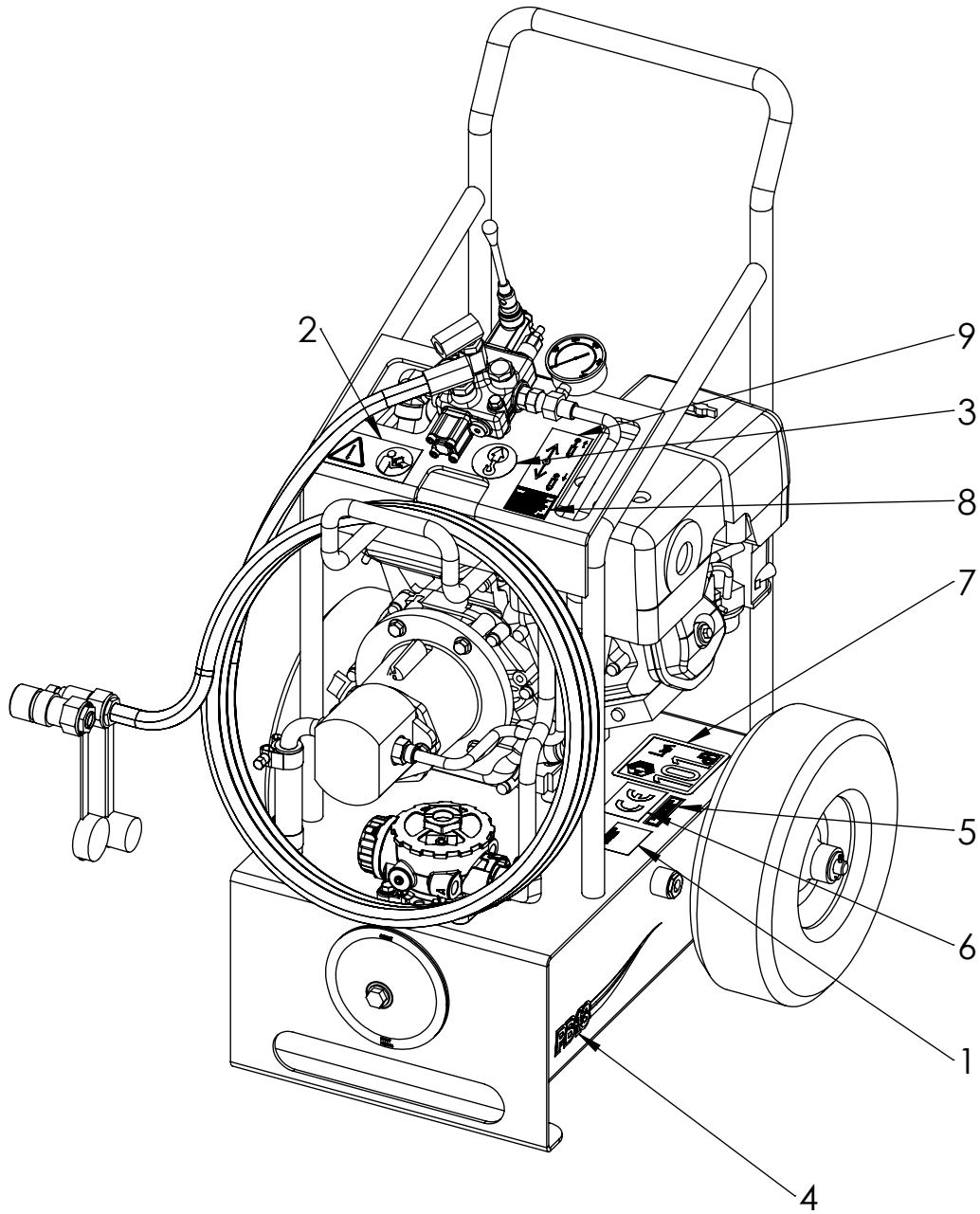
SAE Bolt and Nut Torque Value Chart.....33

Metric Bolt and Cap Screw Torque Values.....34

Torque Standards Hydraulic Fittings.....35

DECALS

Decals
PB13



Decals

PB13

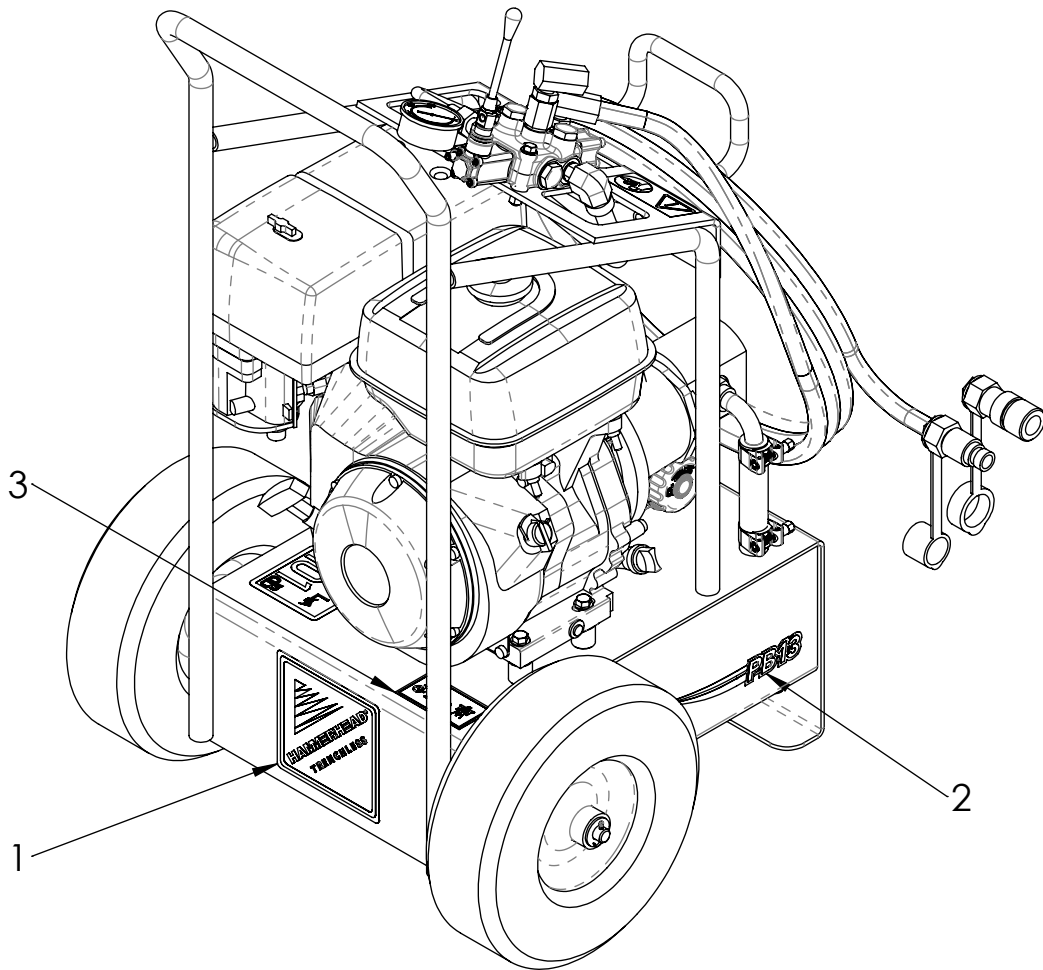
Bom ID	Part No	Description	Qty	Remarks
1	912-6702	DECAL, SERIAL NO TAG PB13	1	
2	912-3344	DECAL, READ OP MANUAL (INT)	1	
3	909-8194	DECAL, -LIFT POINT(SMALL)	1	
4	912-6703	DECAL, PB13 - LEFT	1	
5	270-6297	DECAL, ICES	1	
6	274-364	EC MARK	1	
7	274-291	SOUND POWER	1	
8	270-7951	CALIFORNIA PROP 65 WARNING - GASOLINE	1	
9	913-0065	DECAL, VALVE CONTROL	1	

Not Shown:

Footnotes:

Notes:

Decals
PB13



Decals

PB13

Bom ID	Part No	Description	Qty	Remarks
1	912-4973	DECAL, HH MOUNTAIN SQ-6X6	1	
2	912-6704	DECAL, PB13 - RIGHT	1	
3	270-7019	NOTICE FUEL SHUT OFF ALERT ISO	1	

Not Shown:

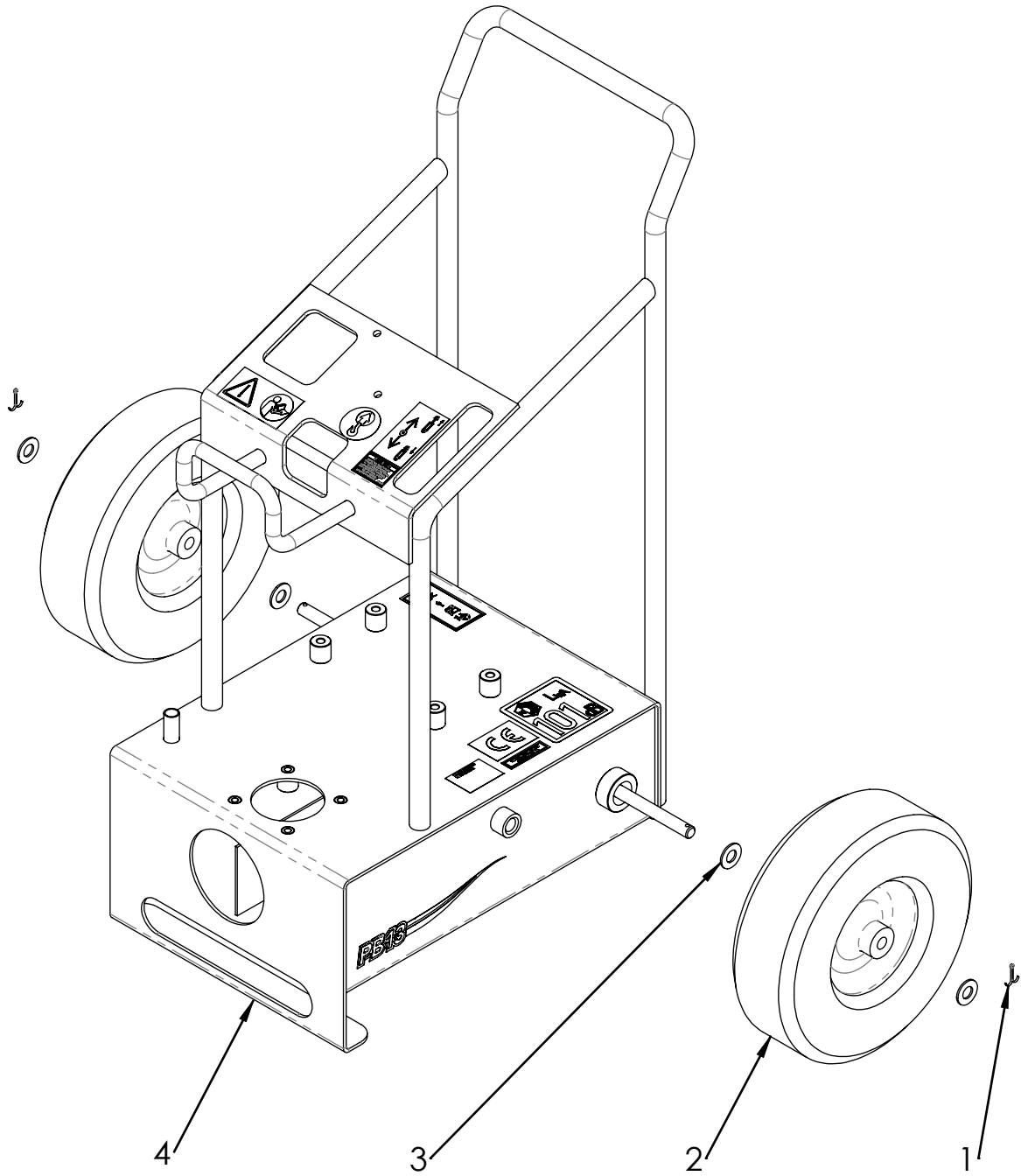
Footnotes:

Notes:

FRAME COMPONENTS

Frame Components

PB13



Frame Components

PB13

Bom ID	Part No	Description	Qty	Remarks
1	912-4159	PIN, 1/8 x 1.25" COTTER"	2	
2	912-6637	TIRE, 13"	2	
3	10FW-SAE	WASHER, 5/8"	4	
4	912-6610	TANK WELDMENT	1	ID0507469

Not Shown:

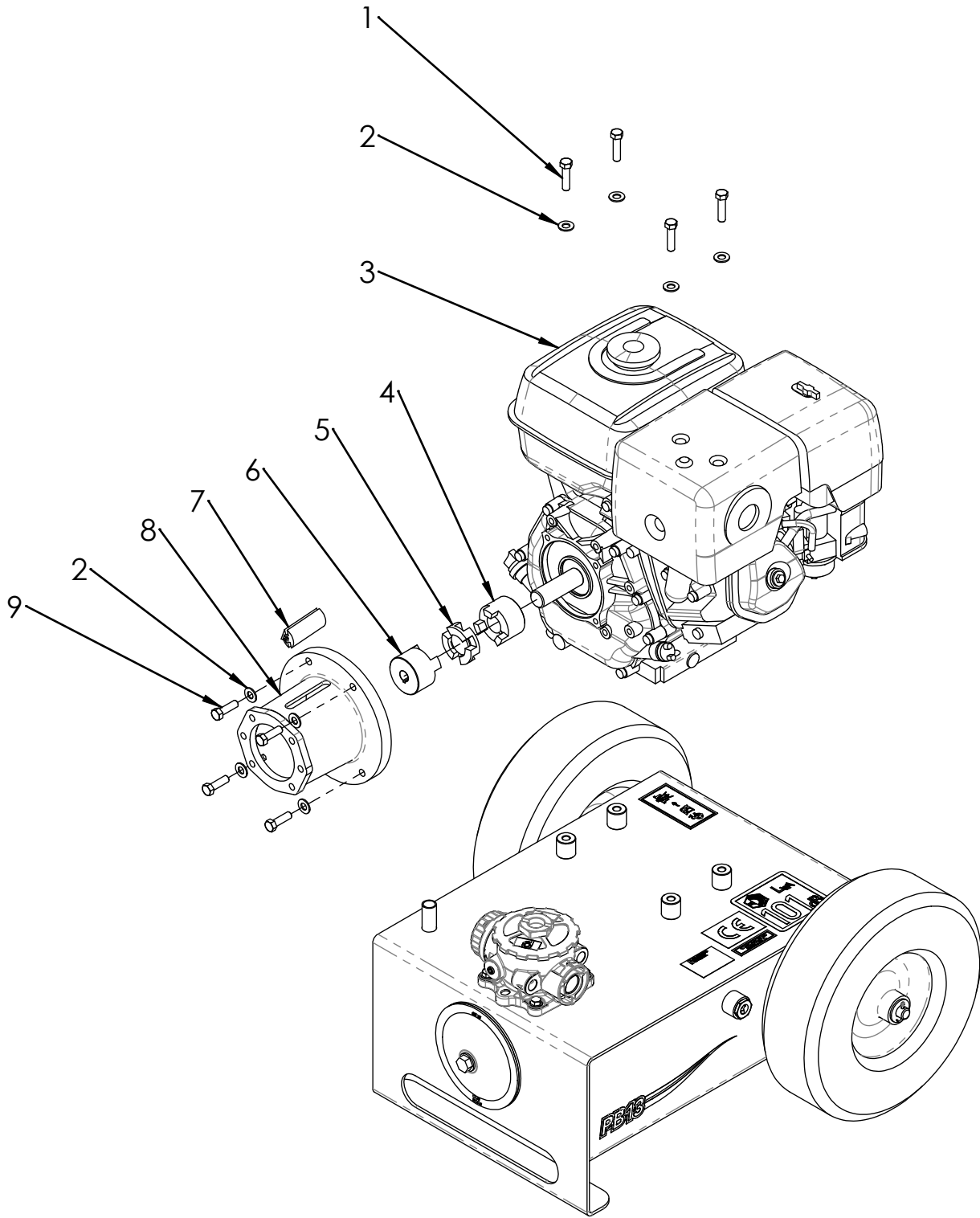
Footnotes:

Notes:

ENGINE COMPONENTS

Engine/Mechanical Components

PB13



Engine/Mechanical Components

PB13

Bom ID	Part No	Description	Qty	Remarks
1	06HH24	SCREW, 3/8-16 x 1.5 HHC - GR8	4	
2	06FW-SAE	WASHER, 3/8"	10	
3	912-3146	ENGINE, 13HP HONDA	1	
4	912-4822	HUB, 1B X 1/4KW	1	
5	912-4824	INSERT, PUMP DRIVE	1	
6	912-4823	HUB, 5/8" B X 5/32" KW	1	
7	912-6653	COVER, ACCESS	1	
8	912-6632	MOUNT, PUMP/ENGINE	1	
9	06HH20	SCREW, 3/8-16 x 1.25 HHC - GR8	6	
10*	912-6656	ENGINE OIL, QT	1.6	

Not Shown:

* Item 10, Part No. 912-6656

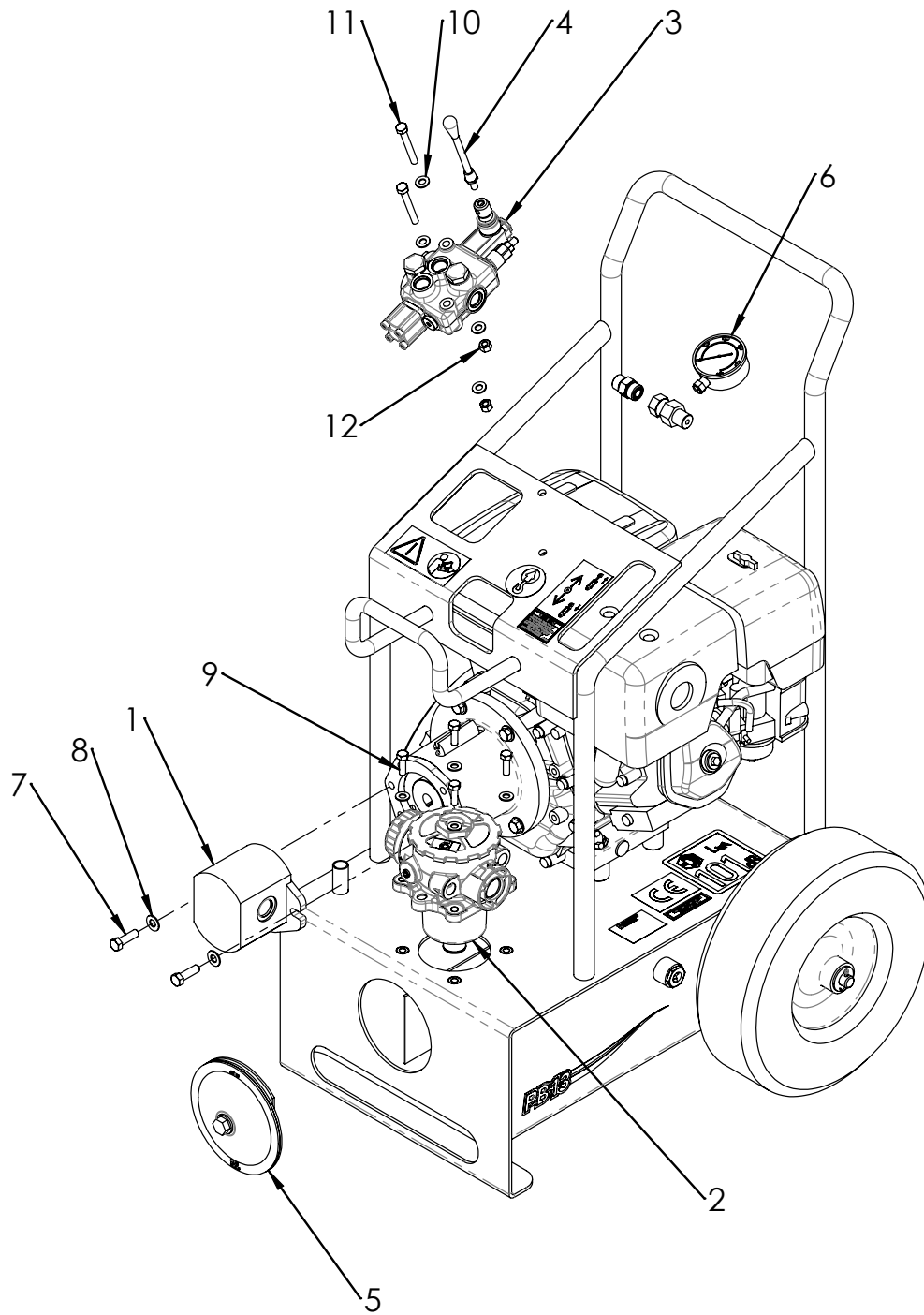
Footnotes:

Notes:

HYDRAULICS

Hydraulic Components

PB13



Hydraulic Components

PB13

Bom ID	Part No	Description	Qty	Remarks
1	912-4825	PUMP, GEAR .37CI	1	
2	912-6645	RETURN FILTER ASSY	1	
3	912-6630	VALVE, CONTROL	1	
4	912-6647	LEVER, VALVE	1	
5	912-6638	CLEANOUT, 6"	1	
6	912-4852	PRESSURE GAUGE DYNAMIC 5000PSI	1	
7	06HH20	SCREW, 3/8-16 x 1.25 HHC - GR8	6	
8	06FW-SAE	WASHER, 3/8"	6	
9	05HH16	SCREW, 5/16-18 x 1.0 HHC - GR8	4	
10	05FW-SAE	WASHER, 5/16"	8	
11	05HH40	SCREW, 5/16-18 x 2.5 HHC - GR8	2	
12	05TLN	NUT, 5/16-18 TOP LOCK	2	
13*	912-3158	HYDRAULIC OIL, ONE GAL	7	

Not Shown:

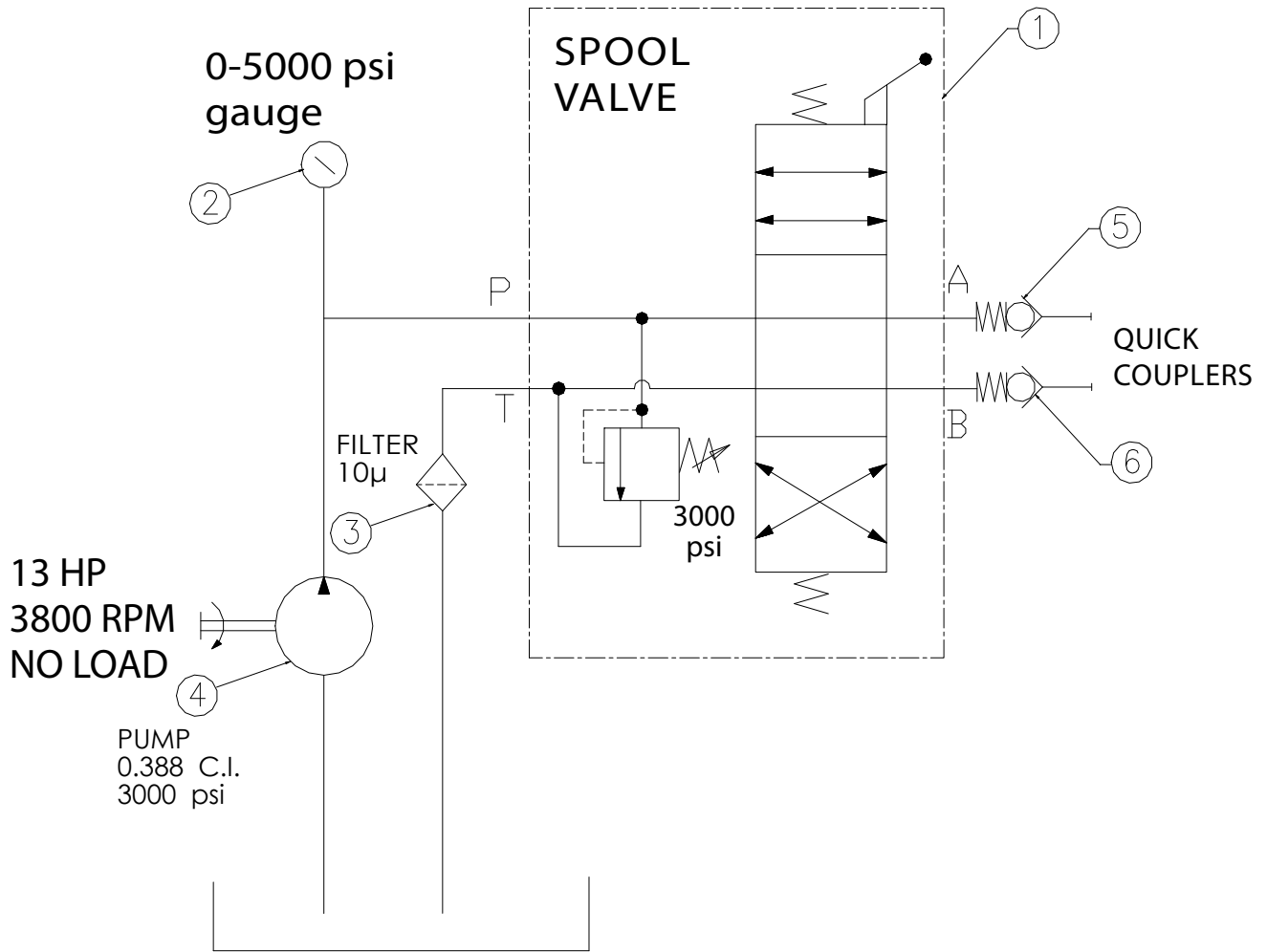
* Item 13, Part No. 912-3158

Footnotes:

Notes:

Hydraulic Schematic

PB13



Hydraulic Schematic

PB13

Bom ID	Part No	Description	Qty	Remarks
1	912-6630	VALVE, CONTROL	1	
2	913-4852	PRESSURE GAUGE DYNAMIC 5000PSI	1	
3	912-6645	RETURN FILTER ASSY.	1	
4	312-4825	PUMP, .388 C.I.	1	
5	912-3038	NIPPLE	1	
6	912-3039	ADAPTER, COUPLER	1	

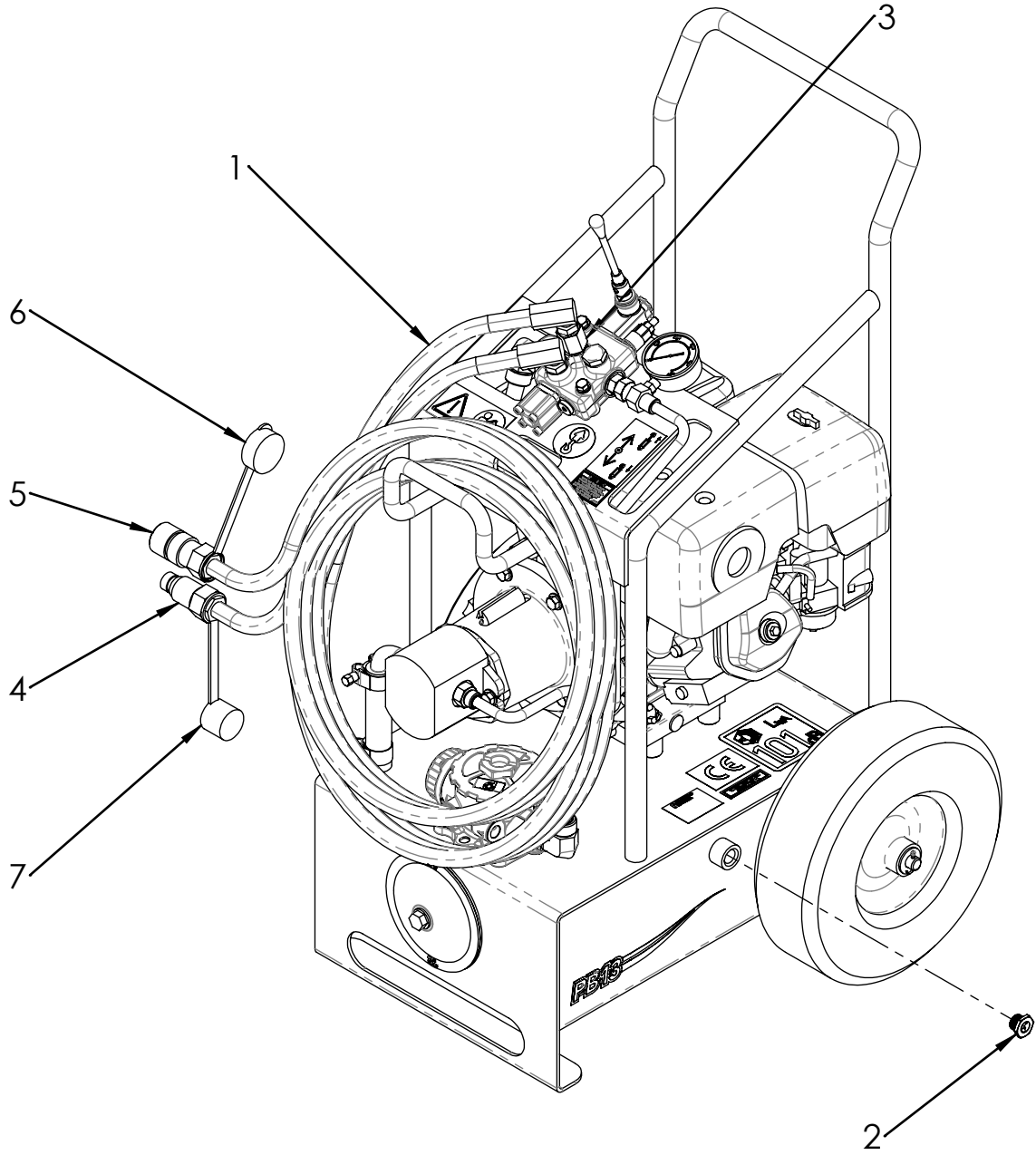
Not Shown:

Footnotes:

Notes:

Hoses & Fittings

PB13



Hoses & Fittings

PB13

Bom ID	Part No	Description	Qty	Remarks
1	H-02030	HOSE 8MBX90-10MB X 180"	2	
2	912-6209	FLUID LEVEL WINDOW, SAE 3/4-16	1	
3	926-3830	ADAPTER, 8MB X 8FB	1	
4	912-3038	NIPPLE	1	
5	912-3039	ADAPTER, COUPLER	1	
6	912-4856	DUST CAP, PCI COUPLER	1	
7	912-4855	DUST CAP, PCI PLUG	1	

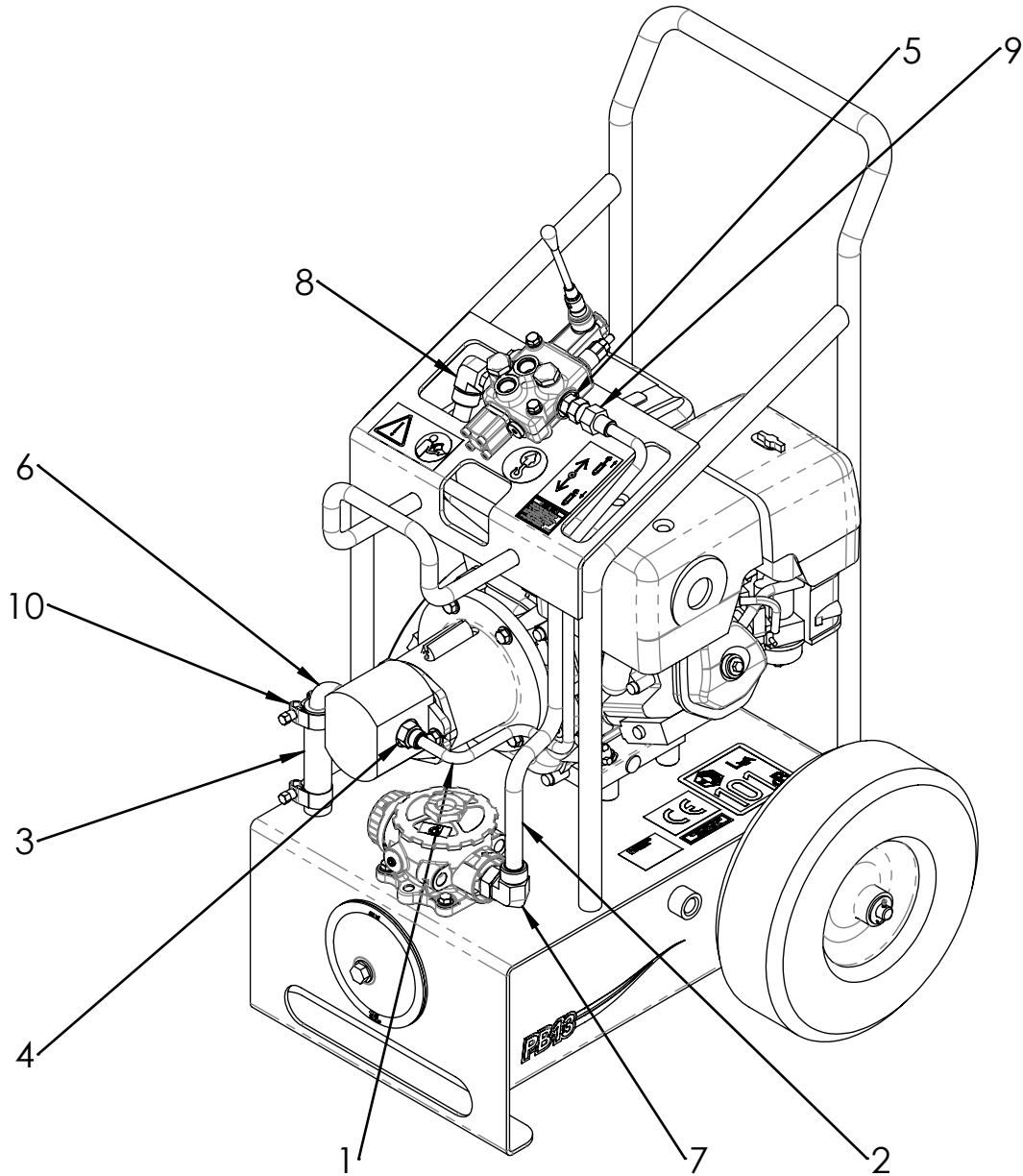
Not Shown:

Footnotes:

Notes:

Hoses & Fittings

PB13



Hoses & Fittings

PB13

Bom ID	Part No	Description	Qty	Remarks
1	912-6635	TUBE, PRESSURE	1	
2	912-6636	TUBE, RETURN	1	
3	H-02031	HOSE, SUCTION	1	
4	926-2224	ADAPTER, 8MO X 10MB	1	
5	926-2206	ADAPTER, 8MO X 8MB	1	
6	926-6504	ELBOW, 12MB X 12HS 90°	1	
7	926-2313	ELBOW, 12MO X 12MB 90°	1	
8	926-2314	ELBOW, 12MO X 8MB 90°	1	
9	926-6602	GAUGE PORT TEE, 8MO X 8FO X 4FB	1	
10	912-6652	CLAMP, T, 1-5/32	2	

Not Shown:

Footnotes:

Notes:

MISCELLANEOUS

Msic.
PB13

Bom ID	Part No	Description	Qty	Remarks
1	960-1112	OPERATORS MANUAL	1	

SAE Bolt and Nut Torque Value Chart

Grade 5: UNC or UNF Thread

Size	Coarse		Fine	
	ft-lb	N-m	ft-lb	N-m
1/4	6	8.5	8	11
5/16	13	18	15	20.5
3/8	25	35	30	40
7/16	40	55	45	60
1/2	60	80	70	95
9/16	90	120	95	130
5/8	120	165	145	200
3/4	210	285	240	325
7/8	320	435	350	475
1	480	650	560	760
1-1/8	700	950	780	1060
1-1/4	1020	1385	1100	1545

Grade 8: UNC or UNF Thread

Size	Coarse		Fine	
	ft-lb	N-m	ft-lb	N-m
1/4	10	13	11	15
5/16	20	27	22	29.5
3/8	35	47	40	55
7/16	55	75	65	88
1/2	90	120	95	130
9/16	120	165	135	185
5/8	180	245	195	265
3/4	300	405	340	460
7/8	500	680	560	760
1	800	1085	920	1250
1-1/8	1180	1600	1340	1815
1-1/4	1720	2330	1900	2575

Metric Bolt and Cap Screw Torque Values

Size	Class 4.8				Class 8.8 and 9.8				Class 10.9				Class 12.9			
	Lubricated		Dry		Lubricated		Dry		Lubricated		Dry		Lubricated		Dry	
	N-m	ft-lb	N-m	ft-lb	N-m	ft-lb	N-m	ft-lb	N-m	ft-lb	N-m	ft-lb	N-m	ft-lb	N-m	ft-lb
M6	4.8	3.5	6	4.5	9	6.5	11	8.5	13	9.5	17	12	15	11.5	19	14.5
M8	12	8.5	15	11	22	16	28	20	32	24	40	30	37	28	47	35
M10	23	17	29	21	43	32	55	40	63	47	80	60	75	55	95	70
M12	40	29	50	37	75	55	95	70	110	80	140	105	130	95	165	120
M14	63	47	80	60	120	88	150	110	175	130	225	165	205	150	260	190
M16	100	73	125	92	190	140	240	175	275	200	350	225	320	240	400	300
M18	135	100	175	125	260	195	330	250	375	275	475	350	440	325	560	410
M20	190	140	240	180	375	275	475	350	530	400	675	500	625	460	800	580
M22	260	190	330	250	510	375	650	475	725	540	925	675	850	625	1075	800
M24	330	250	425	310	650	475	825	600	925	675	1150	850	1075	800	1350	1000
M27	490	360	625	450	950	700	1200	875	1350	1000	1700	1250	1600	1150	2000	1500
M30	675	490	850	625	1600	950	1650	1200	1850	1350	2300	1700	2150	1600	2700	2000
M33	900	675	1150	850	1750	1300	2200	1650	2500	1850	3150	2350	2900	2150	3700	2750
M36	1150	850	1450	1075	2250	1650	2850	2100	3200	2350	4050	3000	3750	2750	4750	3500

Do not use these values if a different torque value or tightening procedure is given for specific application. Torque values listed are for general use only. Check tightness of fasteners periodically.

Shear bolts are designed to fail under predetermined loads. Always replace shear bolts with identical property class fasteners.

Fasteners should be replaced with the same or higher property class. If higher property class fasteners are used, these should only be tightened to strength of original.

Make sure fastener threads are clean and that the threads are properly started. This will prevent them from cross threading or galling when tightened.

Tighten plastic insert or crimped type steel locknuts to approximately 50% of dry torque indicated on chart. Apply torque to the nut – not the bolt head. Tighten toothed or serrated type locknuts to full torque value.

LUBRICATED means coated with lubricant. DRY means plain or zinc plated without any type of lubricant.

Torque Standards Hydraulic Fittings

O-Ring Boss Fittings

DASH SIZE	NOMINAL SIZE (IN)	SAE SIZE	FEMALE THREAD	MALE THREAD	O-RING	ASSEMBLY TORQUE (+10% -0)							
						O-RING BOSS		O-RING BOSS		HOLLOW HEX		HEX HEAD	
						NON-ADJUSTABLE		ADJUSTABLE		PLUGS			
			I.D. (IN)	O.D. (IN)	I.D. (IN)	ft-lbs (in-lbs)	N-m	ft-lbs (in-lbs)	N-m	ft-lbs (in-lbs)	N-m	ft-lbs (in-lbs)	N-m
-2	1/8	5/16-24	17/64	5/16	17/64	-	-	-	-	(30)	4	(85)	10
-3	3/16	3/8-24	21/64	3/8	21/64	-	-	-	-	(55)	6	(155)	18
-4	1/4	7/16-20	25/64	7/16	25/64	26	35	(180)	20	(120)	14	22	29
-5	5/16	1/2-20	29/64	1/2	29/64	30	40	30	40	(170)	19	23	32
-6	3/8	9/16-18	1/2	9/16	1/2	35	46	35	46	34	46	29	40
-8	1/2	3/4-16	11/16	3/4	11/16	60	80	60	80	60	80	52	70
-10	5/8	7/8-14	13/16	7/8	13/16	100	135	100	135	100	135	85	115
-12	3/4	1-1/16-12	31/32	1-1/16	31/32	135	185	135	185	135	185	135	183
-14	7/8	1-3/16-12	1-7/64	1-3/16	1-7/64	175	235	175	235	175	235	175	237
-16	1	1-5/16-12	1-15/64	1-5/16	1-15/64	200	270	200	270	200	270	200	271
-20	1-1/4	1-5/8-12	1-35/64	1-5/8	1-35/64	250	340	250	340	250	340	250	339
-24	1-1/2	1-7/8-12	1-51/64	1-7/8	1-51/64	305	415	305	415	305	415	305	414
-32	2	2-1/2-12	2-27/64	2-1/2	2-27/64	375	510	375	510	375	510	375	509

O-Ring Face Seal Fittings

DASH SIZE	NOMINAL SIZE (IN)	THREAD SIZE	FEMALE THREAD	MALE THREAD	ASSEMBLY TORQUE (+10% -0) (PRIMARY METHOD)		FLATS FROM WRENCH RESISTANCE (FFWR) (SECONDARY METHOD)		O-RING I.D. (IN)
					ft-lb	N-m	TUBE NUTS	SWIVEL & HOSE	
-4	1/4	9/16-18	1/2	9/16	18	25	1/2	3/4	5/16
-6	3/8	11/16-16	11/16	11/16	30	40	1/2	3/4	3/8
-8	1/2	13/16-16	3/4	13/16	40	55	1/2	3/4	1/2
-10	5/8	1-14	13/16	1	60	80	1/2	3/4	5/8
-12	3/4	1-3/16-12	1-7/64	1-3/16	85	115	1/2	1/2	3/4
-16	1	1-7/16-12	1-23/64	1-7/16	110	150	1/2	1/2	15/16
-20	1-1/4	1-11/16-12	1-19/32	1-11/16	150	205	1/2	1/2	1-3/16
-24	1-1/2	2-12	1-59/64	2	230	315	1/2	1/2	1-1/2

Ensure the threads and sealing surfaces are free from nicks, burrs, scratches or any foreign material. Lubricate the o-ring with a light coat of oil. To tighten adjustable o-ring fittings, hold the fitting and tighten the nut. To tighten non-adjustable o-ring fittings, tighten the fitting. When tightening together fittings with dissimilar coatings, torque to 115% of maximum recommended torque value for a given size.

Torque Standards Hydraulic Fittings

Pipe Fittings

Nom. SAE Dash Size	Fractional Size	Threads per Inch	Turns from Finger Tight
2	1/8	27	2-3
4	1/4	18	2-3
6	3/8	18	2-3
8	1/2	14	2-3
12	3/4	14	2-3
16	1	11-1/2	1.5-2.5
20	1-1/4	11-1/2	1.5-2.5
24	1-1/2	11-1/2	1.5-2.5
32	2	11-1/2	1.5-2.5



A CHARLES MACHINE WORKS COMPANY